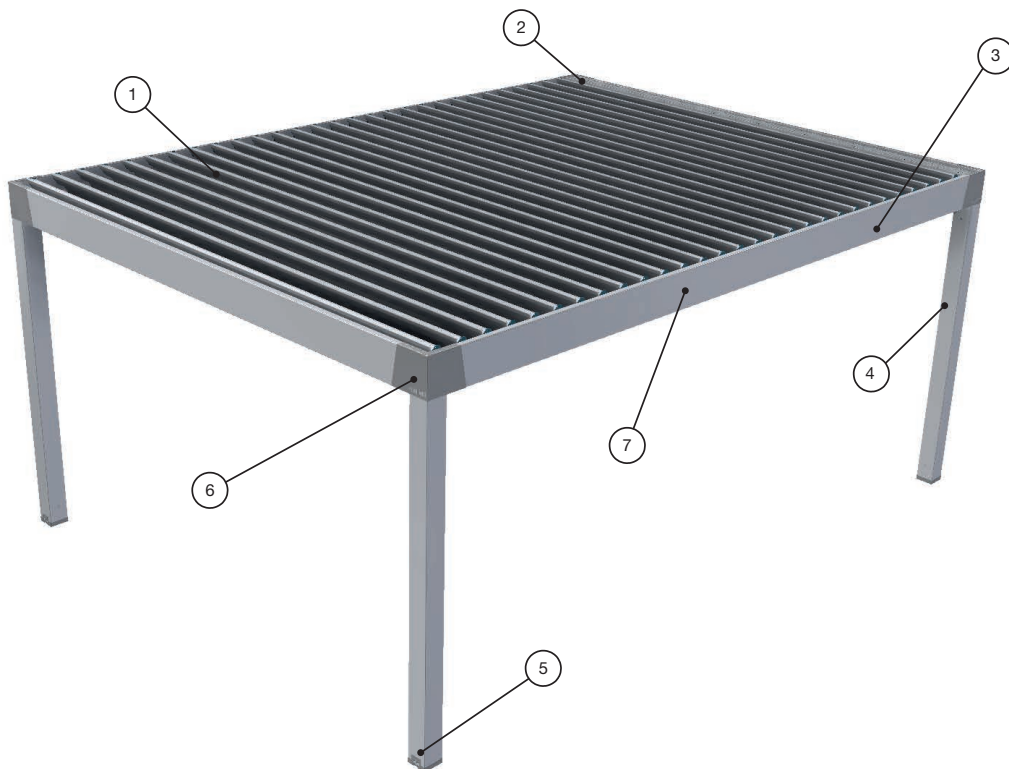


pergocasa®

BioArq DATA SHEET



The evolution of design and technology, is now at the service of your spaces. Pergocasa® BioArq is the bioclimatic pergola with shading cover equipped with adjustable blades, which provides the ideal protection for outdoor environments. Under Pergocasa® BioArq you'll be shure to find a perfect microclimate, a sunscreen that may be adjusted depending on the angle and intensity of light. At the same time, BioArq protects from all weather conditions thanks to its accessories, such as Skipper vertical roller blinds or windows that complement and close the environment during all seasons. In the summer, mosquito nets protect against insects naturally, while the lighting systems and Bluetooth® audio create the desired atmosphere for every moment. Pergocasa® BioArq is made of aluminum, tailor-made and available in many different versions including free-standing and leaning against the wall. The BioArq look is further customized with personalized wrapping, as well as being available in all colors and with the possibility of differentiating the color of the structure from that of the blades. Along with style and strength, BioArq offers a unique and customizable harmony of light, shadow, heat and ventilation; for a space to live by, depending on your tastes, not the season.

1.	Adjustable blades
2.	Transmission group
3.	Inspectable housing
4.	Pillar

5.	Water drain
6.	Angular housing
7.	Supporting gutter




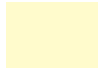
Standard fittings

- Linear drive TiMotion
- Perimetral supporting gutter
- Telescopic pillar bracket

Additional fittings

- LED lights on blades
- Intermediate pillar
- Perimetral LED lights on supporting beam
- Increased foot bracket

Standard structure color

	Exclusive anthracite gray ANTRA24		Brown RAL 8017
	White RAL 9016		Ivory RAL 1013



WIND RESISTANCE CLASS 3



ALUMINIUM STRUCTURE



STAINLESS STEEL BRACKETS AND HARDWARE



PROTECTION FROM THE SUN



PROTECTION FROM THE WIND



PROTECTION FROM THE RAIN

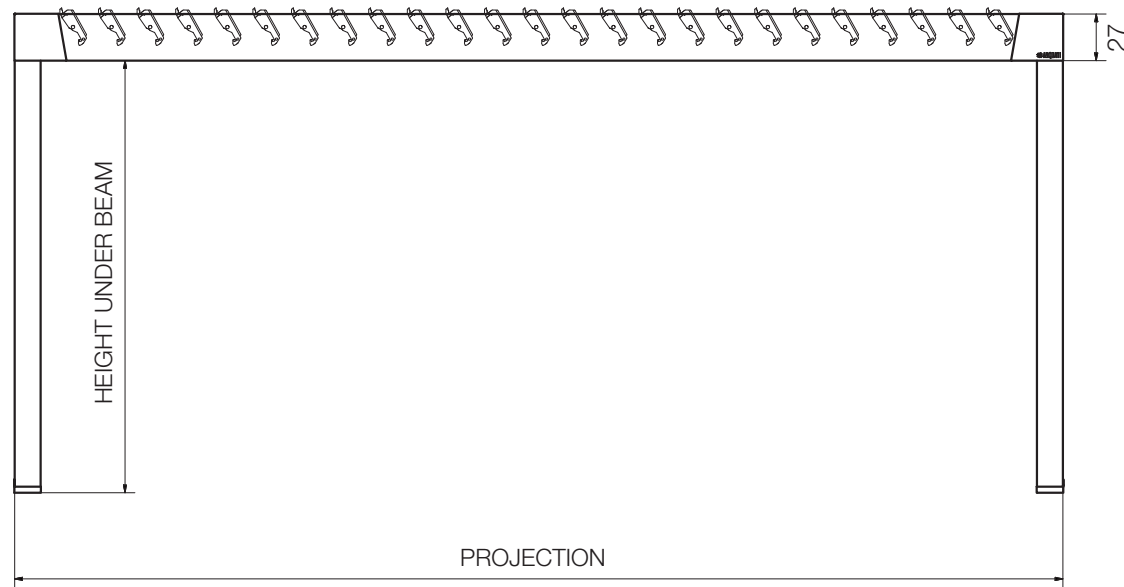
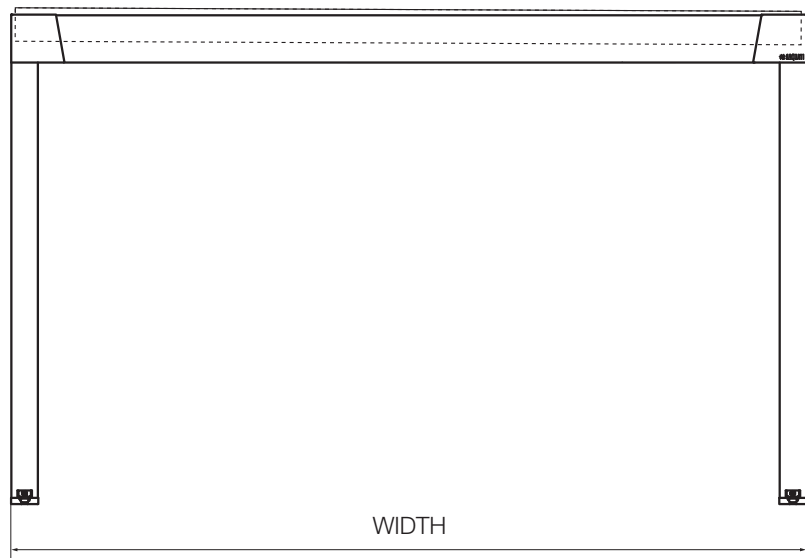


MAXIMUM BLADE ROTATION 120°

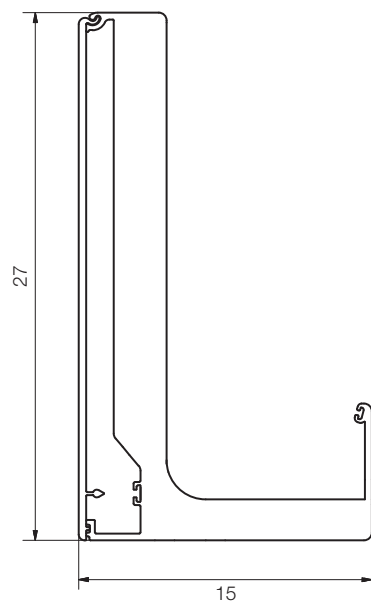


DEPOSITED MODEL

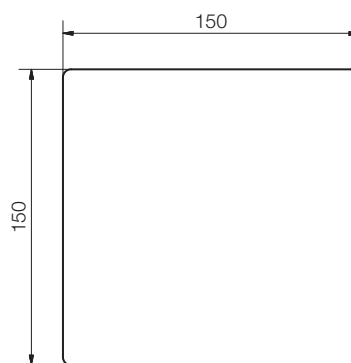
BioArq | Views



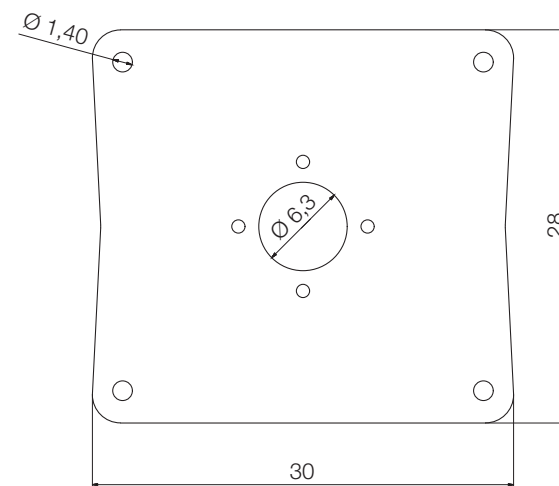
BioArq | Profiles



SUPPORTING GUTTER



PILLAR



ADDITIONAL FOOT BRACKET
(Optional)