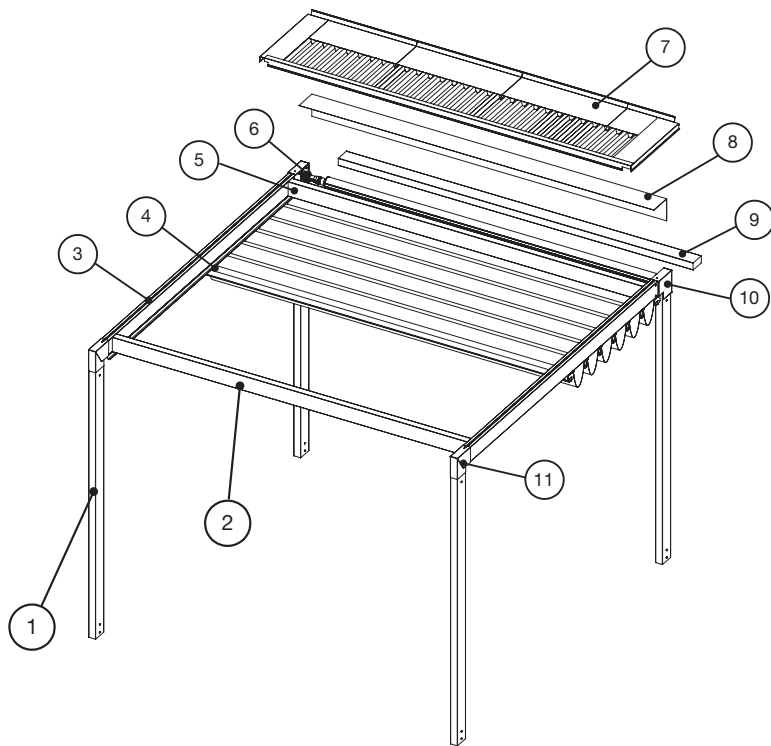


pergocasa®

# First 140 DATA SHEET



1	Pillar
2	Frontal cross beam
3	Runner
4	Fabric cloth
5	Awning protection cross beam
6	Transmission group
7	Awning protection
8	Drive protective housing
9	Wall beam
10	Wall housing
11	Front joint cover housing

Pergocasa® First 140 is a flat aluminum structure with retractable cover and may be realized as self-standing or leaning. It is very robust, but at the same time it retains a remarkable lightness. It has a moveable cover system in retractable fabric: the version with 4 runners achieves a maximum dimension of 12 meters in width and 6 meters in projection, with a maximum of 4 meters span. First is mostly recommended to shade with micro perforated fabrics (Sunair collection). To protect from rain, the structure may be implemented with Sunrain fabric in different types of making, fitted with lateral waterproof water drain. The wind resistance is guaranteed at least grade 5 on the Beaufort scale (class 2 - according to UNI EN 13561: 2009, EN 13782: 2006 and the Structural Eurocodes). The runner has a section of 6.6 x 13.5 cm. The movement of the fabric, with retractable closure, may be by motor or by rod (up to maximum 350 cm). The fabric is mounted on intermediate profiles that slide on trolleys housed inside the runners and dragged by a belt with steel strands driven by a toothed pulley. The handling system takes place via a tubular gearmotor with coaxial transmission, which allows for greater ease of assembly and maintenance. PVC profiles that prevent the water infiltration are provided, as a standard, on runners. The structure, supported by round aluminum profiles 6.6 cm x H 13.5, is available in exclusive anthracite Antra 24, white 9016, ivory 1013 and brown 8017; intermediate profiles in white and ivory. Accessories are made of stainless steel AISI 304 and the aluminum awning protection covers are painted to match the structure.




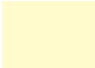
## Standard fittings

- Awning protection
- Antidrop system
- Somfy Pergola iO Drive
- Sunrain 569 Fabric

## Additional fittings

- Additional fastening beam (For leaning structures)
- Fabric with special tailoring
- Additional intermediate profile tubes

## Standard structure color

-  Exclusive anthracite gray ANTRA24
-  Brown RAL 8017
-  White RAL 9016
-  Ivory RAL 1013



WIND RESISTANCE CLASS 2



ALUMINIUM STRUCTURE



STAINLESS STEEL BRACKETS AND HARDWARE



PROTECTION FROM THE SUN



PROTECTION FROM THE WIND



FIREPROOF FABRIC (upon request)

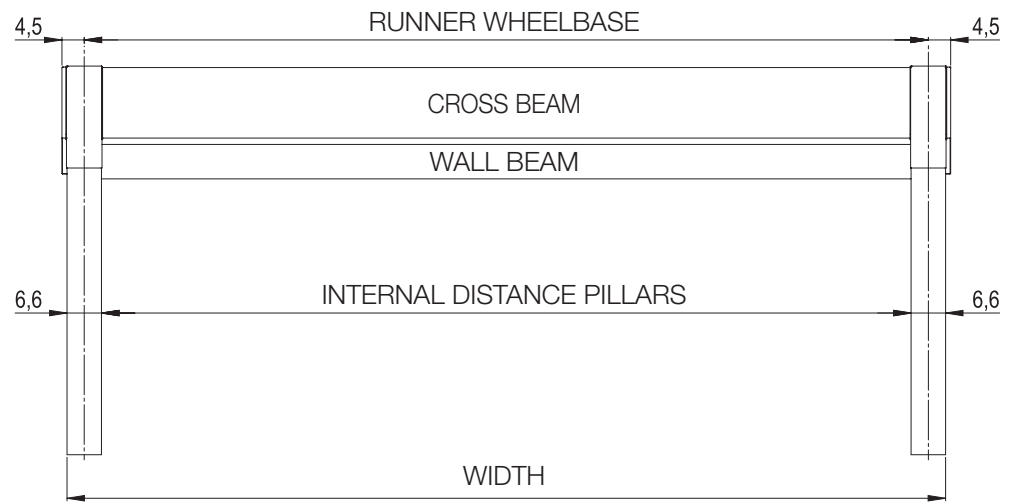
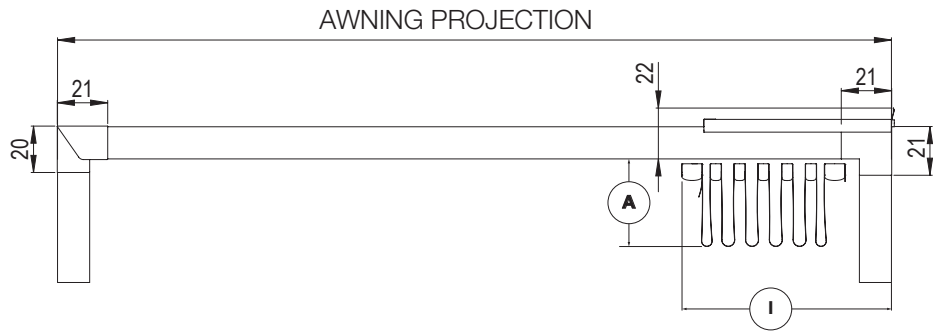


PROTECTION FROM THE RAIN



DEPOSITED MODEL

# First 140 | Views

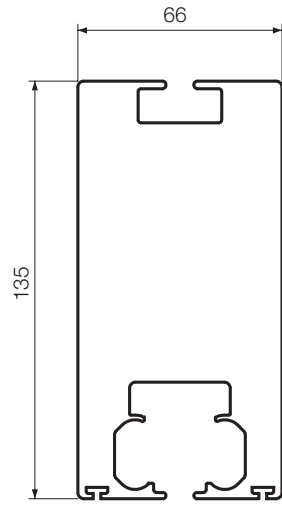


ENCUMBRANCES ACCORDING TO SPAN

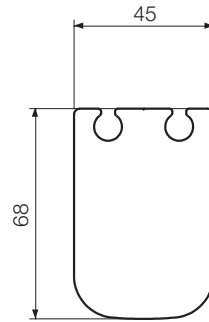
	N° windbreak profiles (terminal+intermediate)	I* cm.	A* cm.
<b>200</b>	4	62	30
<b>250</b>	4/5	69	30
<b>300</b>	5/6	76	30
<b>350</b>	6/7	83	30
<b>400</b>	7/8	88	30
<b>450</b>	8	88	30
<b>500</b>	9	96	30
<b>550</b>	10	103	30
<b>600</b>	11	107	30

I - Encumbrance Stacked Awning  
A - Height Stacked Awning

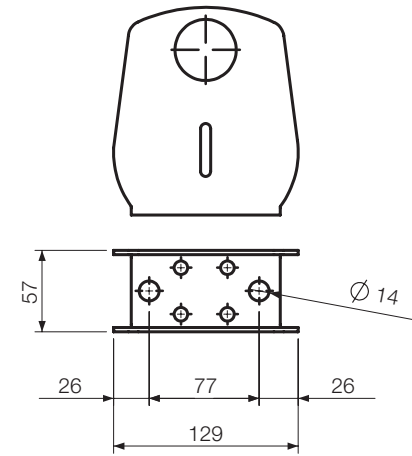
# First 140 | Profiles



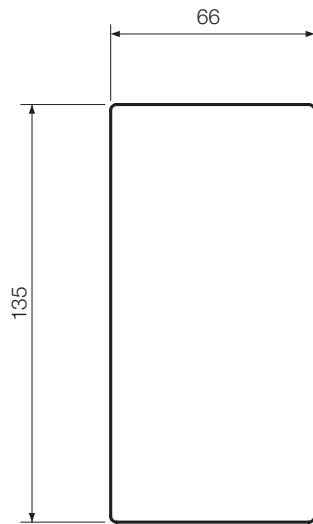
RUNNER 140



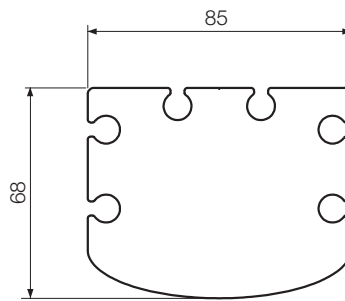
INTERMEDIATE  
WIND BREAK



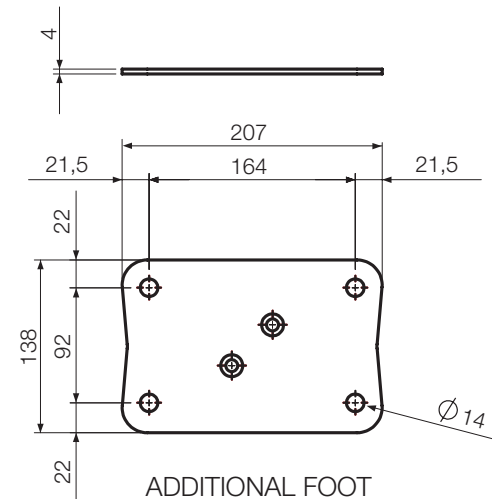
FOOT BRACKET



PILLAR  
AWNING PROTECTION  
CROSS BEAM



WIND BREAK  
TERMINAL PROFILE



ADDITIONAL FOOT  
BRACKET (Optional)