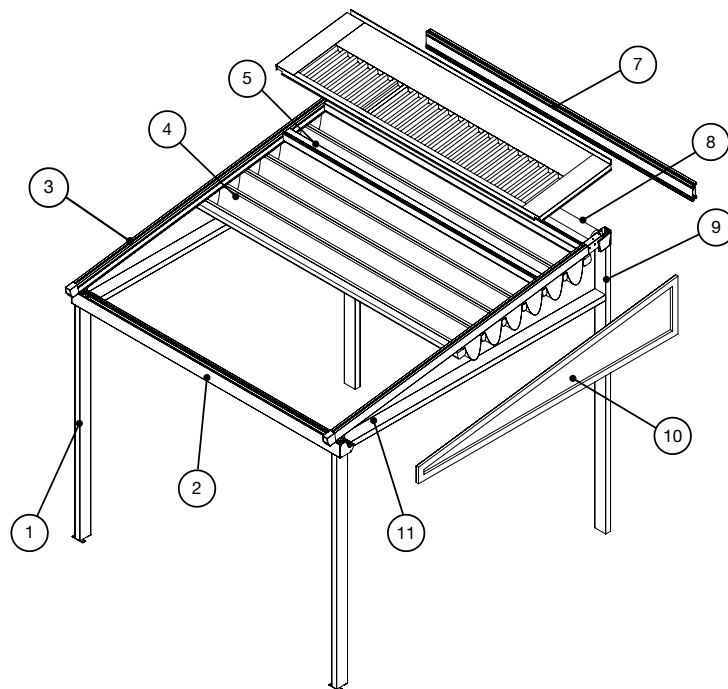


pergocasa®

# Mini 90 DATA SHEET



1.	Pillar
2.	Gutter
3.	Runner
4.	Fabric cloth
5.	Awning protection cross beam
6.	Awning protection
7.	Additional wall beam (optional)
8.	Transmission group
9.	Wall pillar (optional)
10.	Gable (optional)
11.	Side beam (optional)

Pergocasa® Mini 90 is a retractable awning, custom made, made of aluminum and steel for sun and rain protection. The structure may be fixed to the wall or the ceiling with stainless steel brackets. The wind resistance is guaranteed up to a minimum grade 6 on the Beaufort scale (class 3 - UNI EN 13561: 2009, EN 13782: 2006 and the Structural Eurocodes). The Mini 90 version with 4 runners achieves a maximum width of 14 meters and a projection of 5.5 meters. The runner has a section of 5.1 x 9 cm. The movement of the fabric, with retractable closure, may be by motor or by rod (up to maximum 350 cm). The fabric is mounted on intermediate profiles that slide on trolleys housed inside the runners and dragged by a belt with steel strands driven by a toothed pulley. The handling system takes place via a tubular gearmotor with coaxial transmission, which allows for greater ease of assembly and maintenance. PVC profiles that prevent the water infiltration are provided, as a standard, on runners. The structure, supported by aluminum profiles (5.5 x H 12,5) is available in exclusive anthracite ANTRA24, white 9016, ivory 1013 and brown 8017; intermediate profiles in white and ivory. Accessories are made of stainless steel AISI 304 and the aluminum awning protection covers are painted to match the structure. Furthermore Mini 90 is fitted with a standard gutter that allows to fix the runners internally with special brackets.

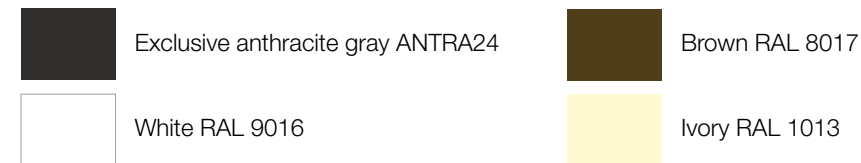
## Standard fittings

- Awning protection
- Antidropsystem
- Somfy Pergola iO Drive
- Sunrain 569 Fabric

## Additional fittings

- LED lighting system
- Gable
- Additional runner
- Side beam
- Lateral corner piece
- Wall pillar
- Additional intermediate profile
- Additional pillar

## Standard structure color



WIND RESISTANCE CLASS 3



ALUMINIUM STRUCTURE



STAINLESS STEEL BRACKETS AND HARDWARE



PROTECTION FROM THE SUN



PROTECTION FROM THE WIND



FIREPROOF FABRIC (upon request)

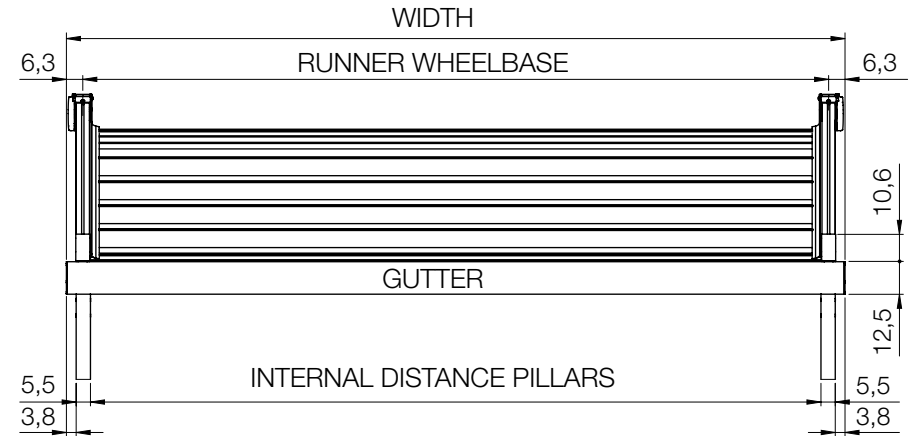
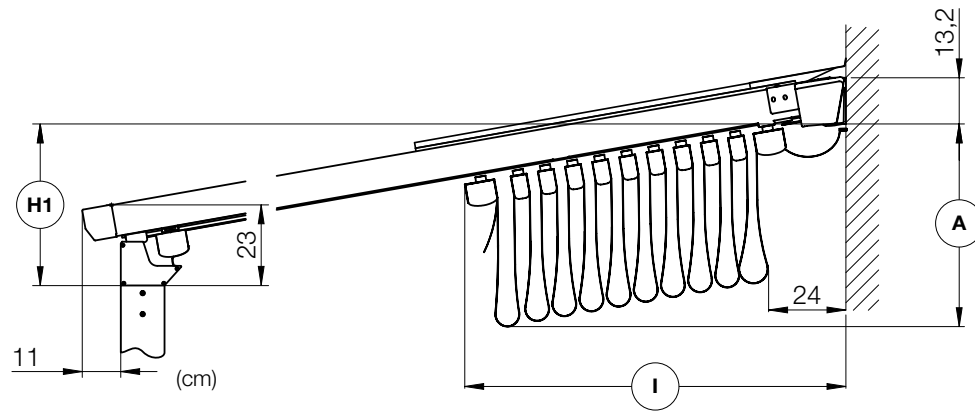


PROTECTION FROM THE RAIN



DEPOSITED MODEL

# Mini 90 | Views



MINIMUM SLOPE AND OVERALL DIMENSIONS (ACCORDING TO SPAN)

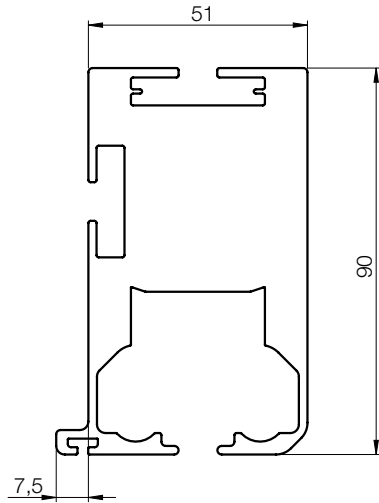
PROJECTION	WIDTH						N° windbreak profiles (terminal+intermediate)	I* cm.	A* cm.
	250	300	350	400	450	500			
	<b>MINIMUM H1 FOR WATER DRAIN (CM)</b>								
<b>200</b>	32	35	36	40	43	47	4	57	35
<b>250</b>	36	40	41	46	50	55	4/5	64	37
<b>300</b>	40	45	46	52	57	63	5/6	71	40
<b>350</b>	44	50	52	58	64	71	6/7	78	42
<b>400</b>	48	55	57	64	71	79	7/8	83	45
<b>450</b>	53	60	63	70	78	88	8	83	47
<b>500</b>	54	65	69	76	85	95	9	91	50
<b>550</b>	59	70	74	82	92	103	10	98	53

I - Encumbrance Stacked Awning  
 A - Height Stacked Awning  
 H1 - Height for calculation of inclination

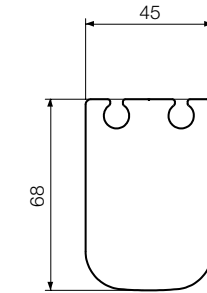
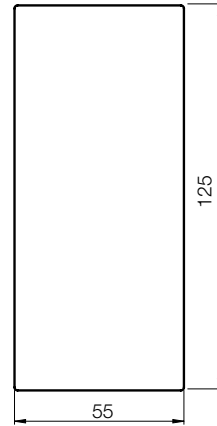
\*Indicative dimensions in case of a slope of 10°

N.B. : The measures are recommended in order to confer a sufficient frontal discharge of water. In case of longer spans or side by side structures of different widths, always refer to that of the upper width.

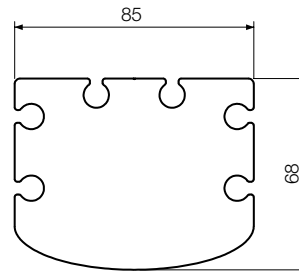
# Mini 90 | Profiles



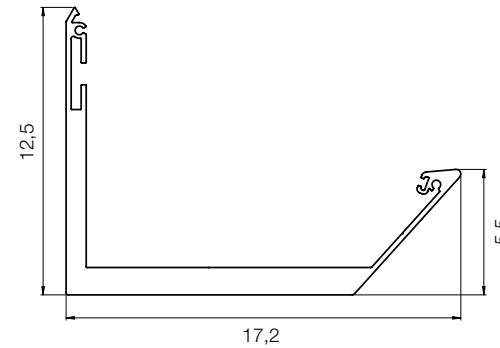
PILLAR SIDE BEAM  
AWNING PROTECTION  
CROSS BEAM



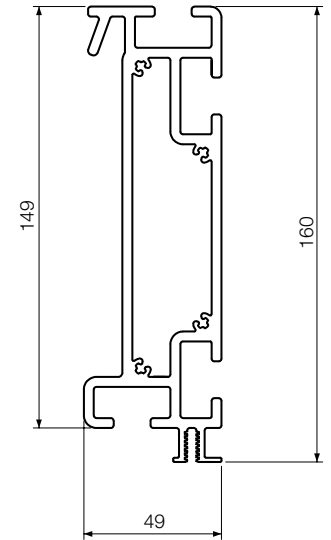
INTERMEDIATE  
WIND BREAK



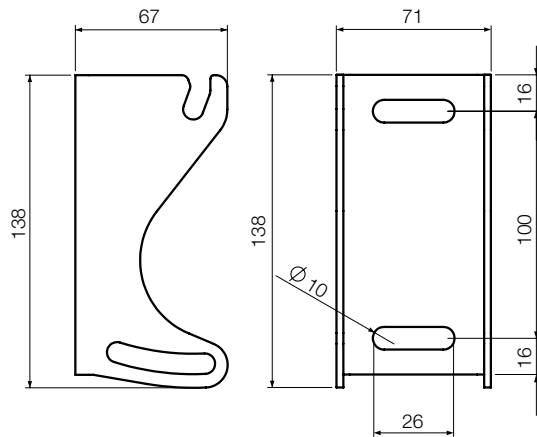
WIND BREAK  
TERMINAL PROFILE



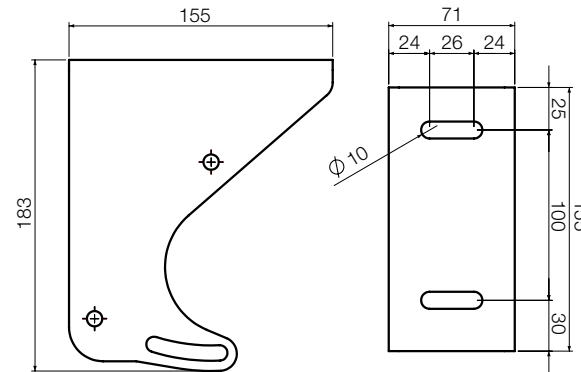
GUTTER



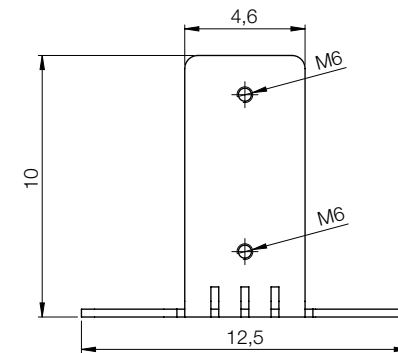
ADDITIONAL  
FIXING BEAM  
(Optional)



WALL BRACKET

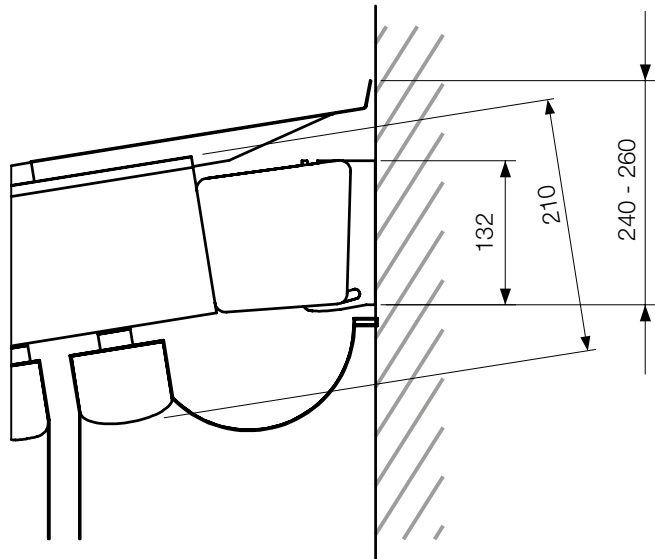


OVERHEAD BRACKET

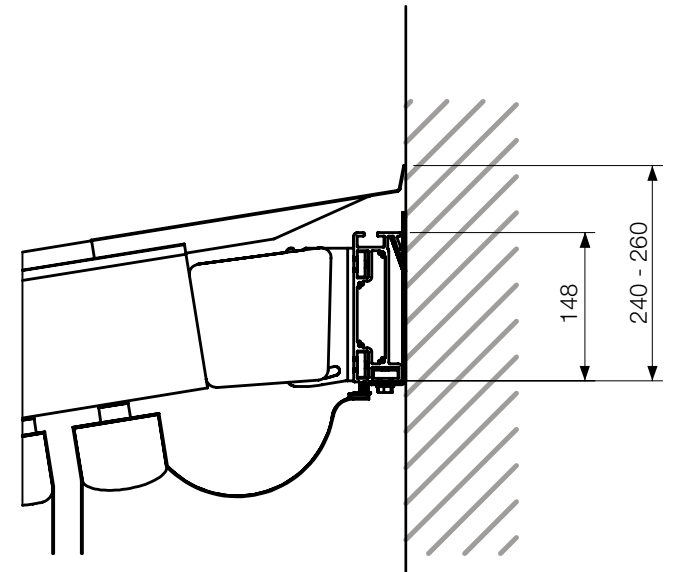
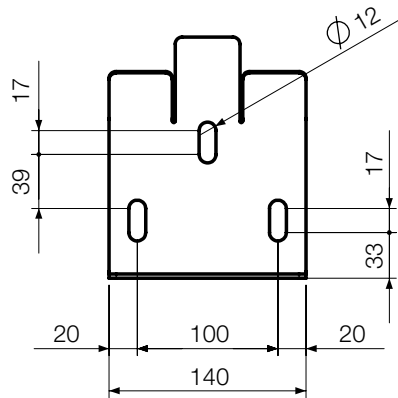


ADDITIONAL FOOT BRACKET

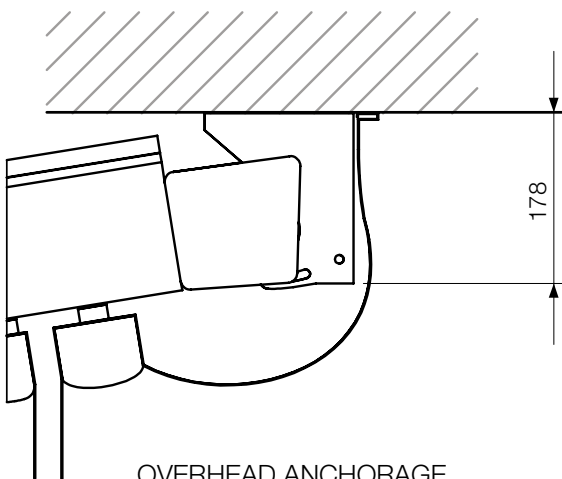
# Mini 90 | Anchorages



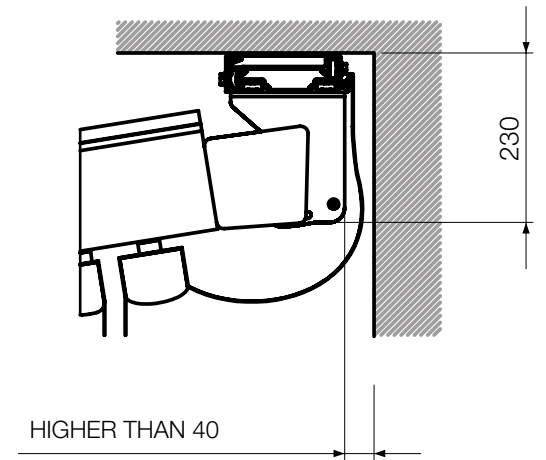
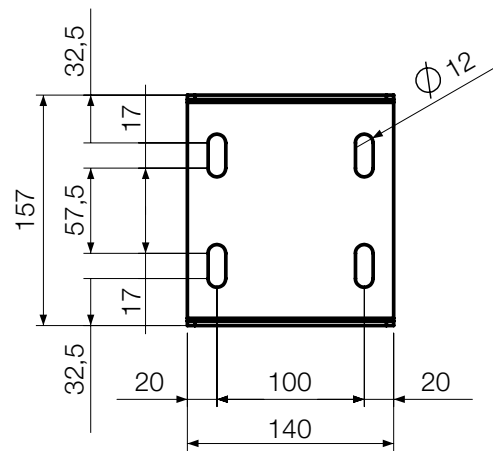
WALL ANCHORAGE



WALL ANCHORAGE WITH ADD. FIXING BEAM (Optional)



OVERHEAD ANCHORAGE



HIGHER THAN 40

OVERHEAD ANCHORAGE WITH ADD. FIXING BEAM (Optional)